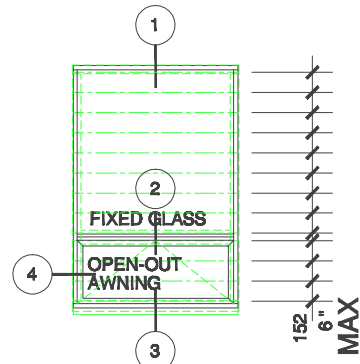
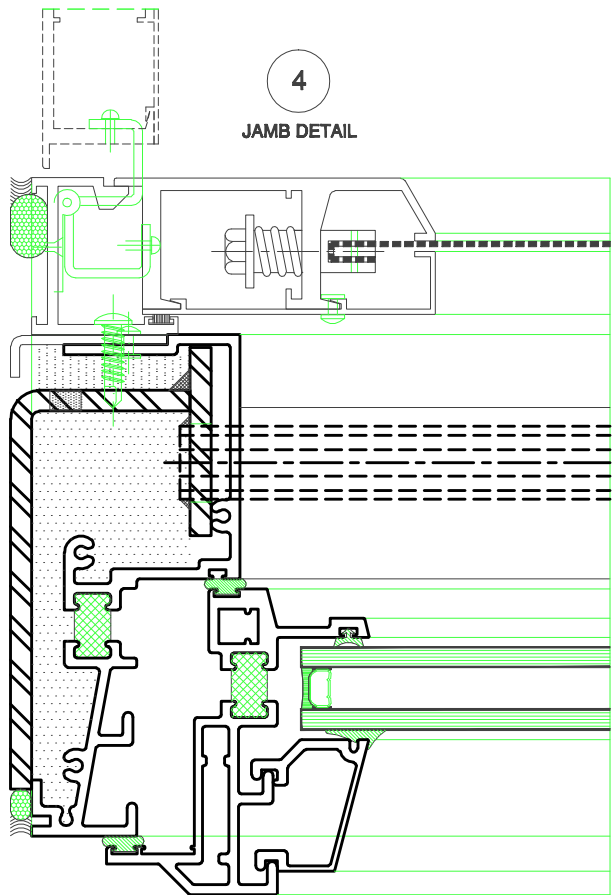
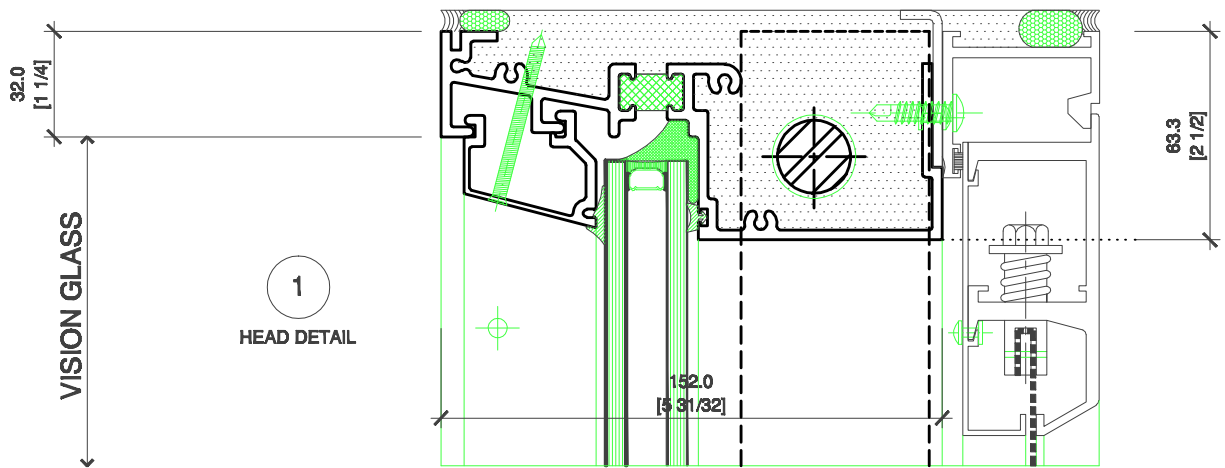


**SHERWOOD WINDOWS LIMITED**  
**SW-6100 SERIES SECURITY WINDOW**  
 WITH SV-600 SERIES HEAVY DUTY SECURITY AWNING AND  
 "AAA" TYPE MAXIMUM SECURITY SCREEN



**TYPICAL ELEVATION**  
 TYPE OF SECURITY GLASS -  
 TO ARCHITECT'S SELECTION

# SHERWOOD WINDOWS LIMITED SW-6100 SERIES SECURITY WINDOW

WITH SV-600 SERIES HEAVY DUTY SECURITY AWNING AND  
 "AAA" TYPE MAXIMUM SECURITY SCREEN