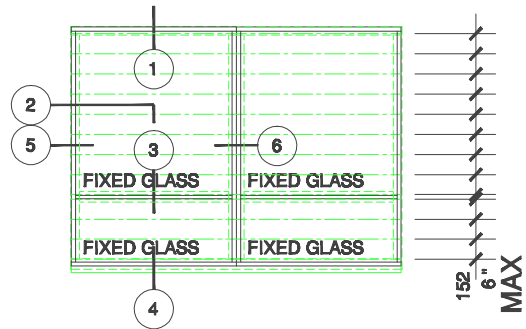


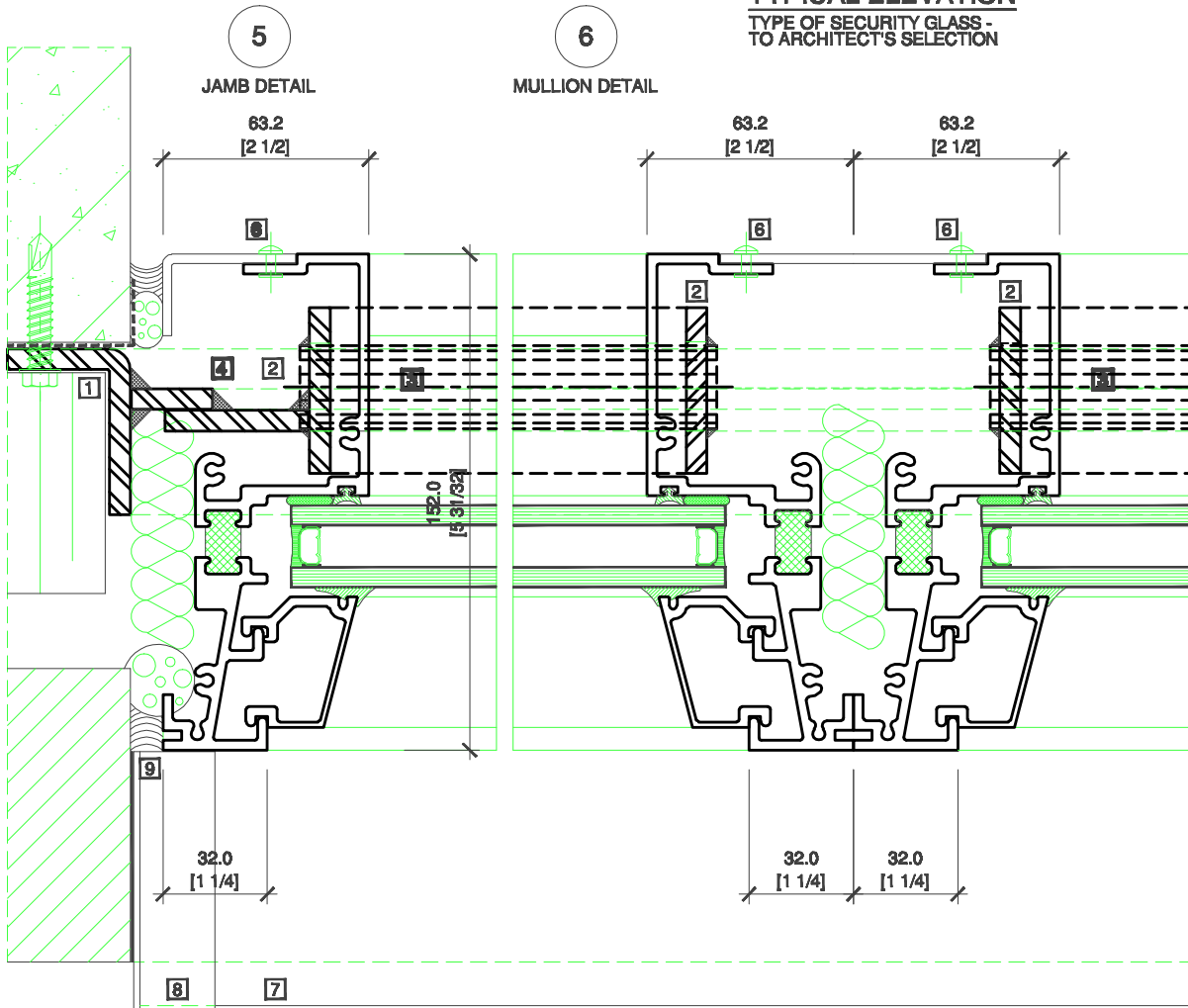
SHERWOOD WINDOWS LIMITED
SW-6100 SERIES SECURITY WINDOW
 TYPICAL ANCHORAGE METHOD FOR WINDOW
 INSTALLED AFTER FACE BRICK APPLICATION

- 1 6 MM (1/4") THICK CONTINUOUS PERIMETER STEEL ANGLE BOLTED TO ADJACENT MASONRY
- 2 6 MM (1/4") THICK CONTINUOUS MILD OR TOOL RESISTANT STEEL SECURITY FLATBARS
- 3 22.23 MM (7/8") OR 25.4 MM (1") DIA MILD OR TOOL RESISTANT STEEL SECURITY BARS AT 182.4 MM (6") O.C. MAX
- 4 SITE WELD
- 5 PREFINISHED ALUMINUM SECURITY BAR ENCLOSURE
- 6 3/16" STAINLESS STEEL POP RIVET
- 7 PREFINISHED FORMED ALUMINUM SUB-SILL
- 8 PREFINISHED ALUMINUM SILL END DRIP DEFLECTOR SEALED TO ADJACENT SURFACES
- 9 PERIMETER CAULK, BACKER ROD AND POLYURETHANE FOAM (IF REQUIRED)



TYPICAL ELEVATION

TYPE OF SECURITY GLASS - TO ARCHITECT'S SELECTION



SHERWOOD WINDOWS LIMITED
SW-6100 SERIES SECURITY WINDOW

TYPICAL ANCHORAGE METHOD FOR WINDOW
 INSTALLED AFTER FACE BRICK APPLICATION